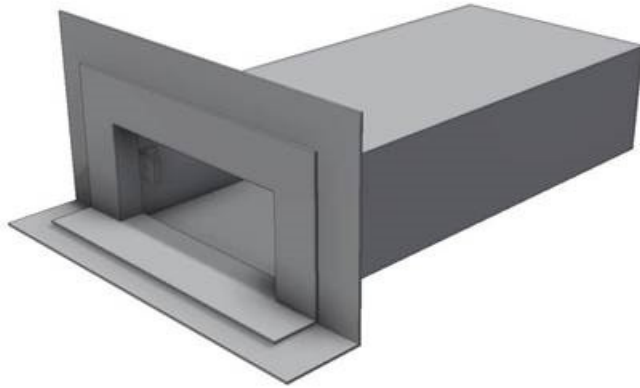


PC300 and PC500 Parapet Chutes – Data Sheet



Application

The PC300 and PC500 parapet chute outlets are suitable for commercial, industrial and domestic applications, are designed for use with bituminous or multi-layer waterproofing membranes.

Composition

All components are manufactured from 3mm thick marine grade alloy with austenitic stainless steel retaining screws. Aluminium leaf guard gratings are also provided for optional use.

Advantages

- Suitable for all standard applications
- High performance
- Free technical advisory service
- 50 year life expectancy
- Near zero maintenance
- Durable and strong

Drainage flow performance

Description	Size (mm)	Code	Performance
			L/s
Parapet Chute 300mm wide	300(w)x600(d)x150(h)	IKOPC300	7.32
Parapet Chute 500mm wide	500(w)x600(d)x150(h)	IKOPC500	12.2

Flow performance is based on a 35mm head of water adjacent to the outlets. If outlets are located within localised sumps, greater performance will be achieved.



Installation

Parapet outlets consist of body assembly, clamping ring and optional grate. The waterproof membrane should be dressed into the outlet body, clamping ring is then secured over the waterproofing layer with retaining screws provided, to prevent water ingress between waterproofing membrane and parapet outlet. The optional grate acts as a guard against airborne debris from blocking the outlet.

Technical support

The Alutec Technical Services team has many years' experience in all aspects of eaves and roof drainage design for both modern and traditional building methods. We are able to assist with:

- Correct system choice
- Roof drainage design
- Installation advice
- Bespoke design service
- Scheduling quantities
- Itemised estimates

For further technical queries, please contact our Technical Services Department on 01234 359438.