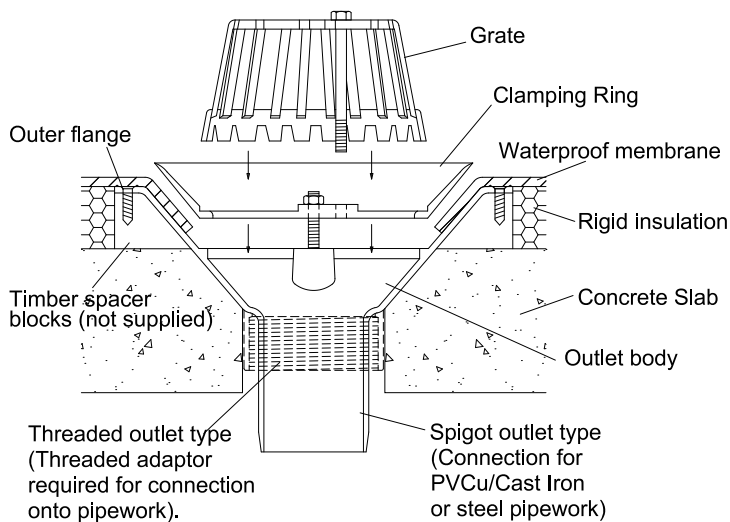
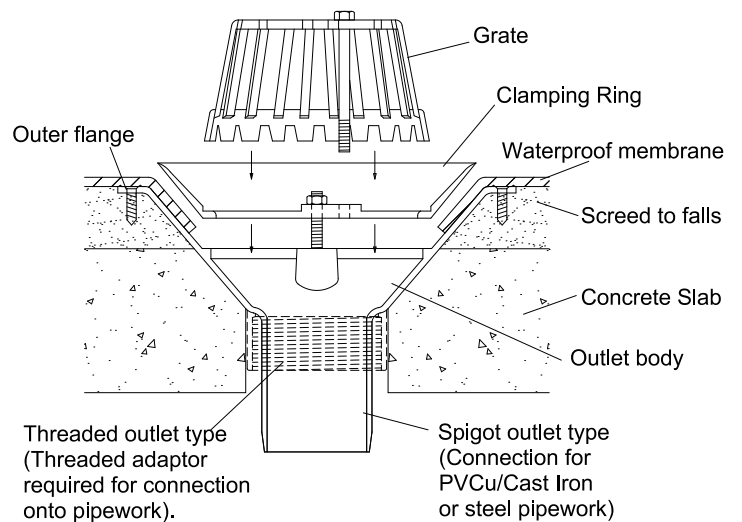


TYPICAL ROOF OUTLET INSTALLATION INSTRUCTIONS

Warm Roof Application



Cold Roof Application



1. Recess the body "outer flange" into the roof structure ensuring the top is flush.

2. Connect pipework to outlet.

3. Screw "outer flange" to the roof surface or spacer blocks with a countersunk screw via holes provided.

4. Dress the waterproofing membrane into the dish of the outlet body. For sheet membranes use a silicone sealant to form a watertight seal between the outlet body and sheet material.

5. secure "clamping ring" and "grate" over the waterproofing membrane with bolts provided, ensuring the membrane is fully clamped into position.



MARLEY ALUTEC LTD

Unit 1 (G-H) Viking Industrial Park,
Hudson Road, Elms Farm Industrial Estate,
Bedford MK41 0LZ

Tel: 01234 359438 Fax: 01234 357199

the roof structure ensuring the

2. Connect pipework to outlet.

3. Screw "outer flange" to the spacer blocks with a counters holes provided.