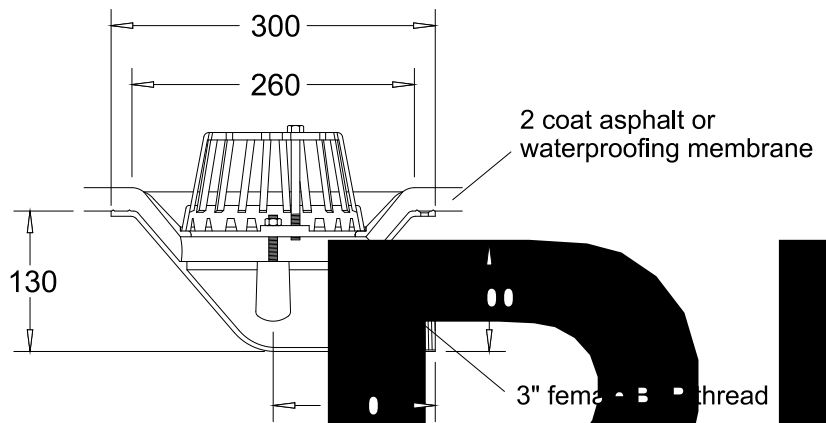


All dimensions in mm unless otherwise stated



		DATE:
TITLE: DR335 - 75mm 90° Horizontal threaded outlet		SCALE: NOT TO SCALE
DRAWING No: DR335		Copyright © Marley Alutec Ltd. 2004