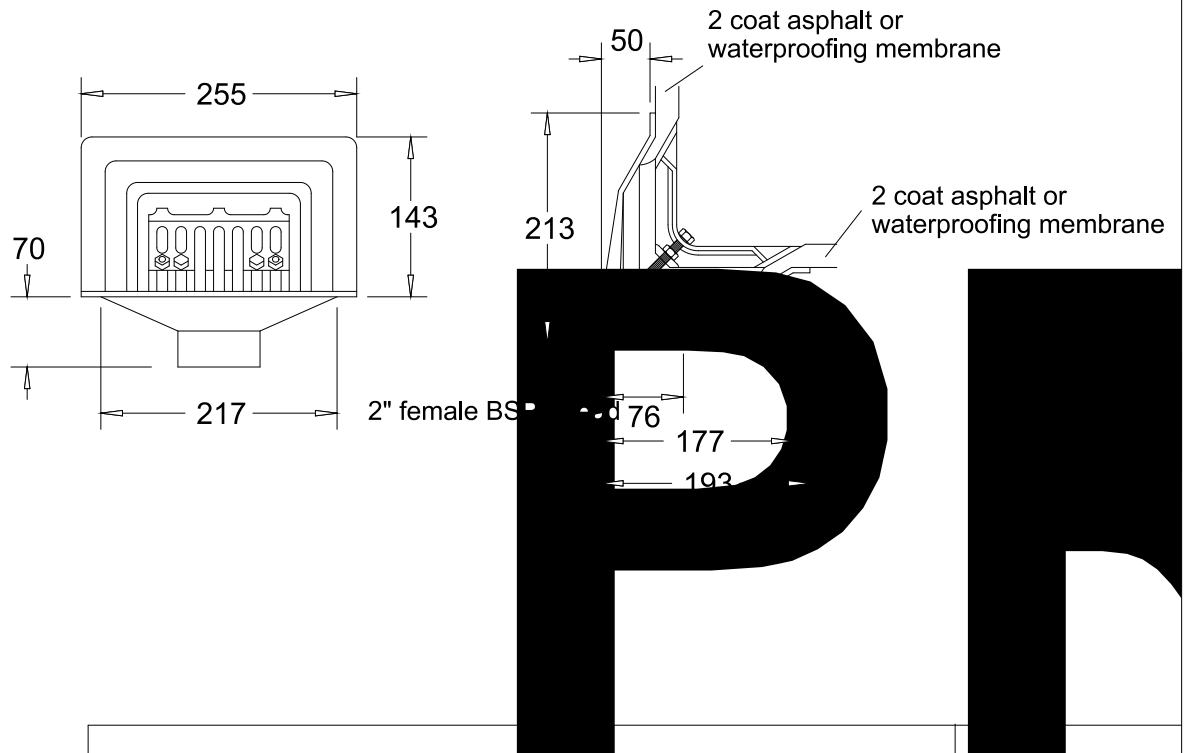


All dimensions in mm unless otherwise stated



		DATE:
TITLE: DR250 - 50MM Two way outlet	SCALE: Not to scale	
DRAWING No: DR250	Copyright © Marley Alutec Ltd. 2004	