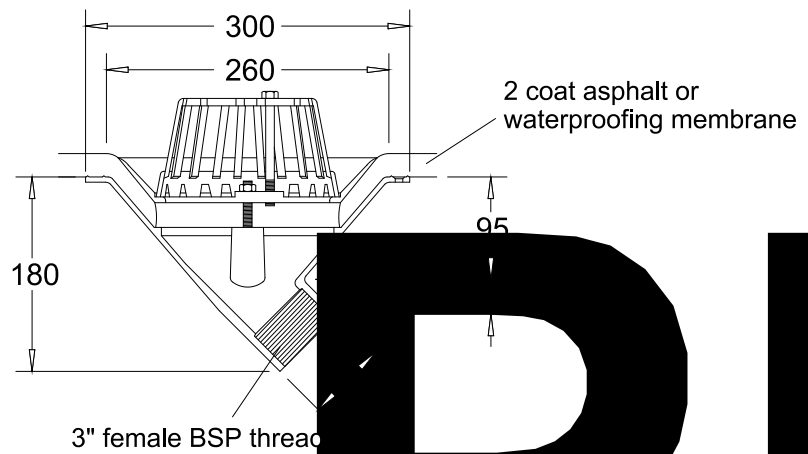


All dimensions in mm unless otherwise stated



		DATE:
TITLE: DR225 - 50mm 45° threaded outlet	SCALE: NOT TO SCALE	
DRAWING No: DR225	Copyright © Marley Alutec Ltd. 2004	